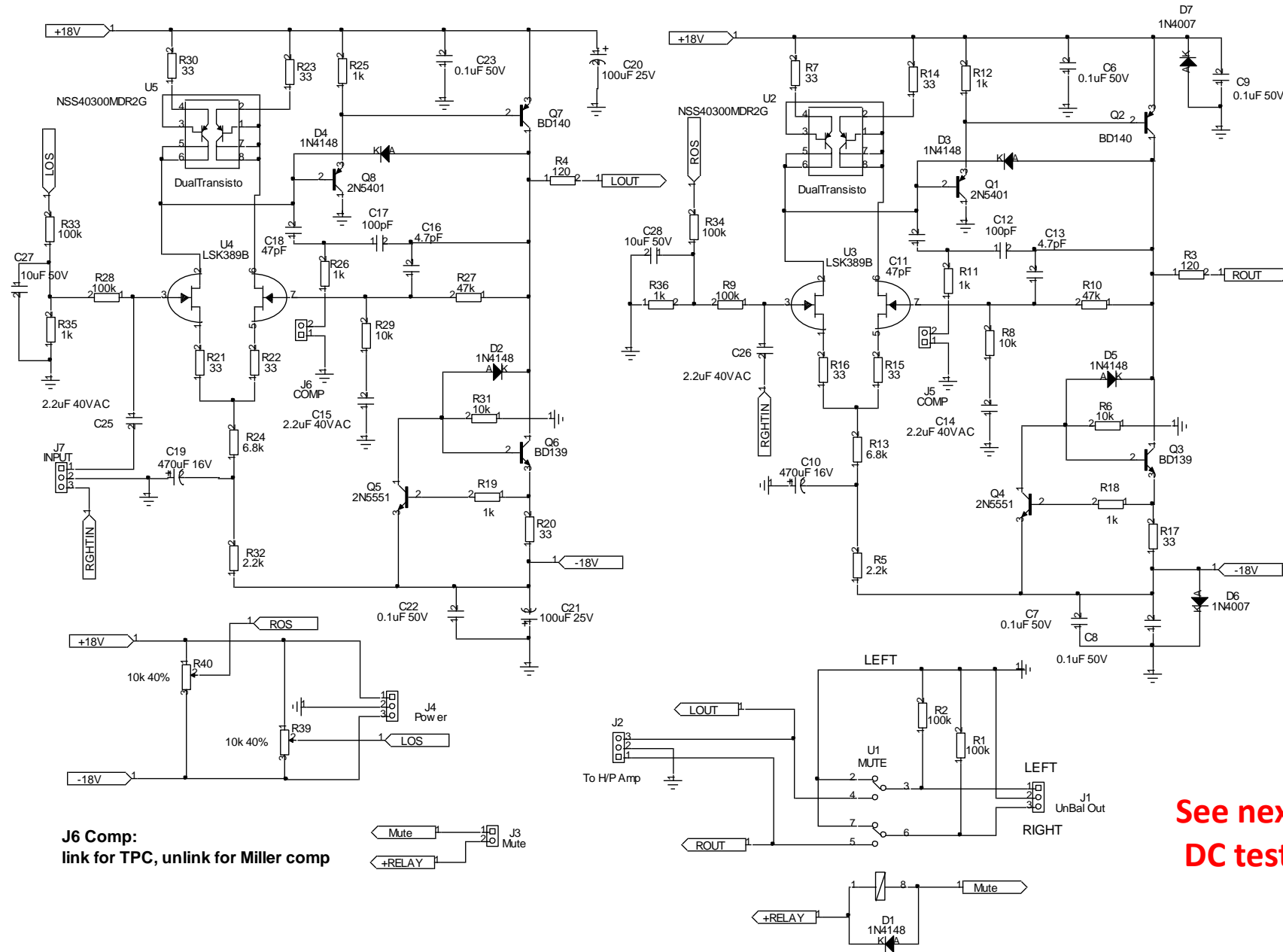


Discrete Line Amp

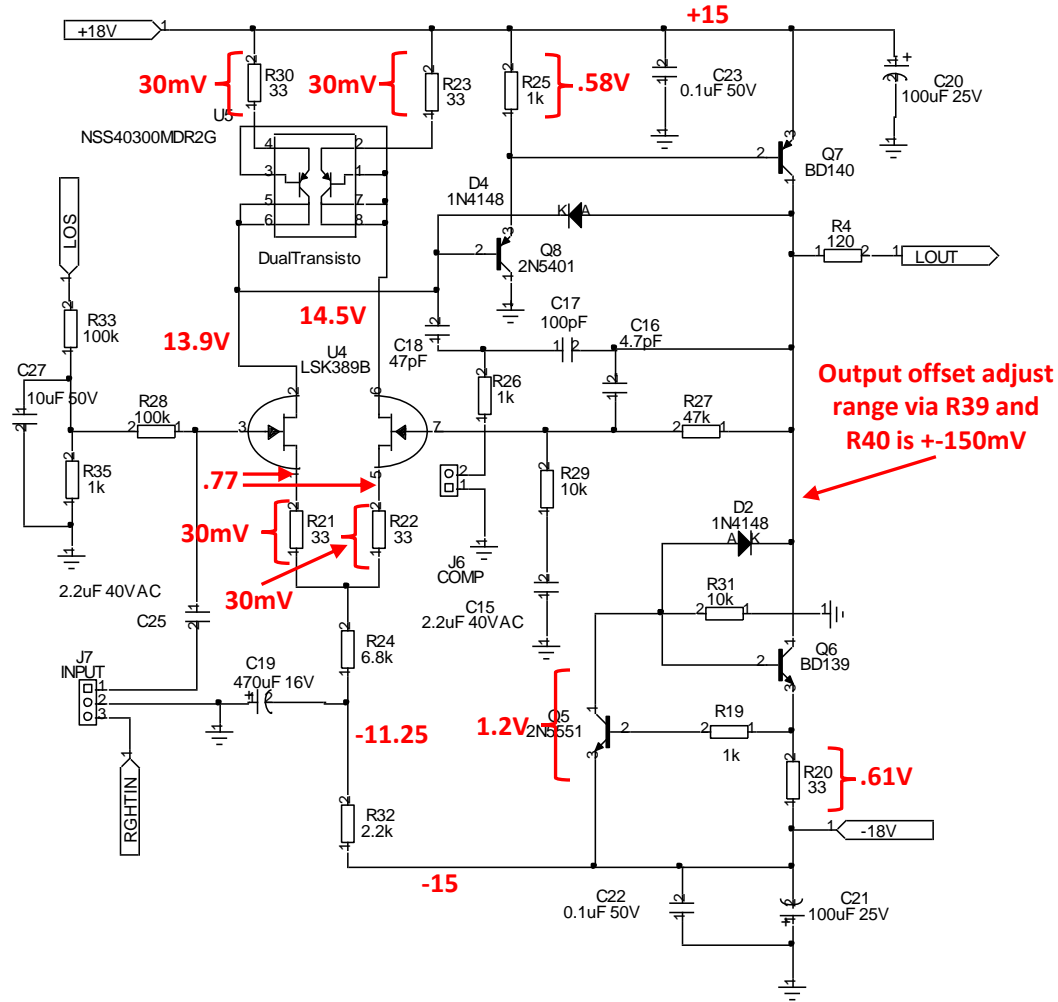


J6 Comp:
link for TPC, unlink for Miller comp

See next slide for
DC test voltages

Discrete Line Amp – Test Voltages

For +-15V Supply Rails



For +-18V Supply Rails

